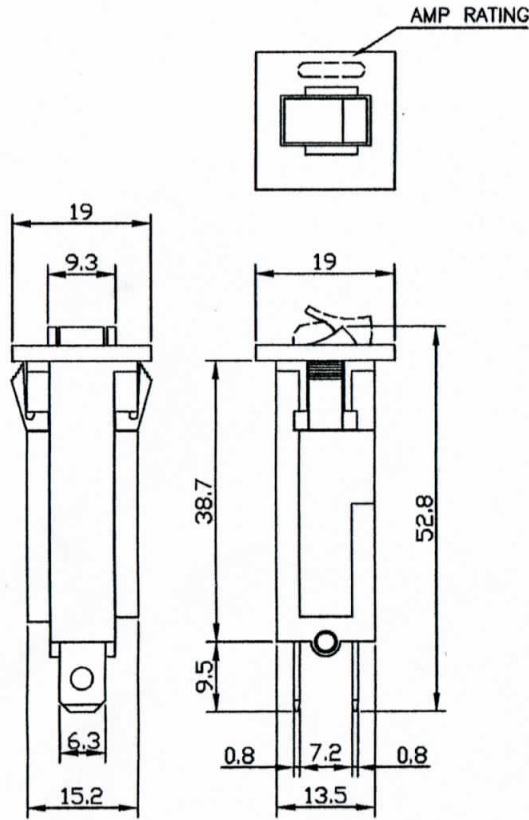
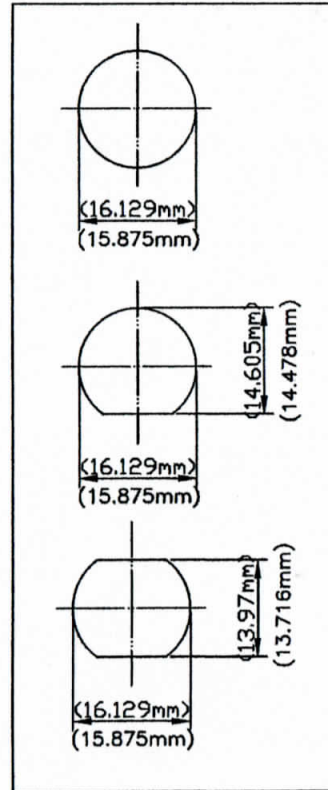


0.5-5 = +/- 0.2
 5-30 = +/- 0.4
 30-120 = +/- 0.6
 120-315 = +/- 1
 315-1000 = +/- 1.6
 1000-2000 = +/- 2.4



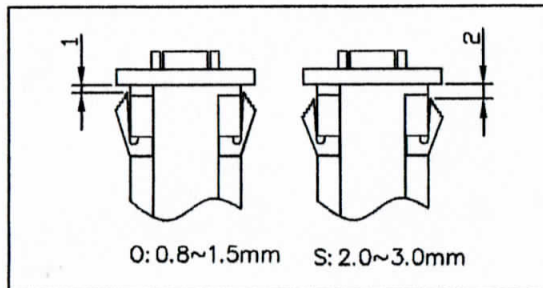
Recommended Panel Cutouts



Specifications :

- *Standard Rating : 1.5~20 AMPERE.
- *Input Power : 125 VAC / 250 VAC / 32 VDC.
- *Dielectric Strength : 1500 VAC / 1 Minute.
- *Interrupt Capacity : 125 VAC x 1000 A, 250 VAC x 200A.
- *Insulation Resistance : > 100 MΩ
- *Calibration : 25°C -105°C of Rated Current-Continuously Carried.
 - 25°C -Between 101% to 134%-May Trip or Not.
 - 25°C -135% of Rated Current-Trip Within 1 Hour.
 - 25°C -200% of Rated Current-Trip Within 1 Minute.
- *Contact Endurance :
 - 125 VAC x 150% of Rated Current-500 Cycles.
- *Reset : Manual Push Reset/Auto Reset.

Panel Thickness



RoHS COMPLIANT

APPROVED BY



UNITED AU-VI CO., LTD.

Description:

CIRCUIT BREAKER 1.5A-20A

Part No.:

CB-8400



Date: APR 06 2016 File No.: ZE-800